
Technical sheet

MLT 1040-145 PS+ L

Telehandlers



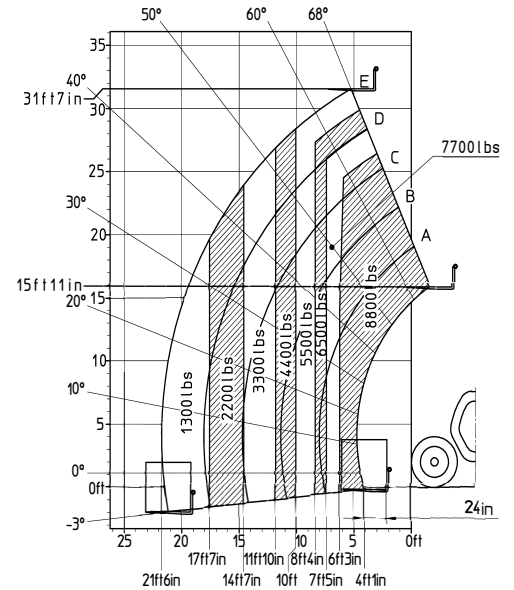
 **MANITOU**
HANDLING YOUR WORLD

Capacities	Metric	Imperial
Max. capacity	4000 kg	8,800 lbs
Max. lifting height	9.60 m	31 ft 7 in
Max. outreach	6.55 m	21 ft 7 in
Reach at max. height	1.50 m	4 ft 1 in
Weight and dimensions		
Unladen weight (with forks)	9175 kg	20227 lbs
m4 - Ground clearance	0.42 m	2 in
l2 - Overall length to carriage (with hitch)	5.17 m	17 ft 0 in
y - Wheelbase	2.88 m	9 ft 6 in
b4 - Overall width of cab	1 m	3 ft 4 in
b1 - Overall width	2.39 m	7 ft 10 in
h17 - Overall height	2.38 m	7 ft 10 in
a4 - Crowd angle	12 °	12 °
a5 - Dump angle	135 °	135 °
Wa1 - External turning radius (over tires)	3.74 m	12 ft 4 in
Standard tires	460/70 R24	460/70 R24
Performances		
Lifting	8.34 s	8.34 s
Lowering	5.36 s	5.36 s
Extension	11.30 s	11.30 s
Retraction	9 s	9 s
Crowd	3.80 s	3.80 s
Dump	2.60 s	2.60 s
Engine		
Brand	John Deere	John Deere
Environmental norm	Stage IV / Tier 4 Final	Stage IV / Tier 4 Final
Model	PWL 4045	PWL 4045
Number of cylinders - Cubic capacity	4 - 4500 cm ³	4 - 275 in ³
Power	141 hp / 104 kW	141 hp / 104 kW
Max. torque	540 Nm at 1600 rpm	399 ft.lbs at 1600 rpm
Laden drawbar pull	9300 daN	-
Reversible fan	Standard	Standard
Cooling system	4 radiators (water + intercooler + hydraulic oil + transmission oil)	4 radiators (water + intercooler + hydraulic oil + transmission oil)
Transmission		
Type	Torque Converter with box M-Shift	Torque Converter with box M-Shift
Number of gears (forward/reverse)	5/3	5/3
Max. travel speed	40 km/h	25 mph
Differential lock	Limited slip differential on front and rear axles	Limited slip differential on front and rear axles
Parking brake	Automatic negative parking brake	Automatic negative parking brake
Service brake	Wet disc brakes	Wet disc brakes
Hydraulics		
Hydraulic pump type	Load sensing pump	Load sensing pump
Hydraulic flow - Pressure	200 l/min - 270 bar	52.84 gpm - 3916 psi
Tank capacities		
Hydraulic oil	156 l	41 US gal.
Fuel	126 l	33 US gal.
Diesel Exhaust Fluid (DEF)	12 l	3 US gal.
Miscellaneous		
Cab Certification	Cab ROPS - FOPS Level 2	Cab ROPS - FOPS Level 2
Frame Leveling	7 Degrees Left/Right	7 Degrees Left/Right

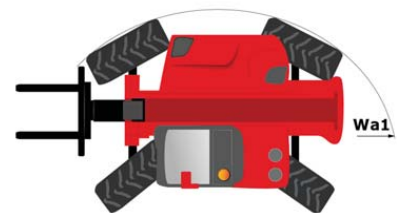
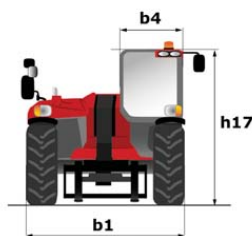
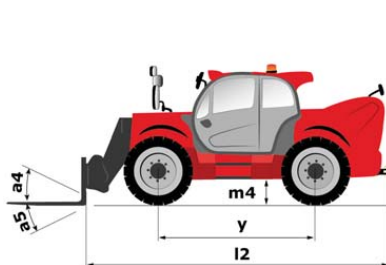
Options / Finishing

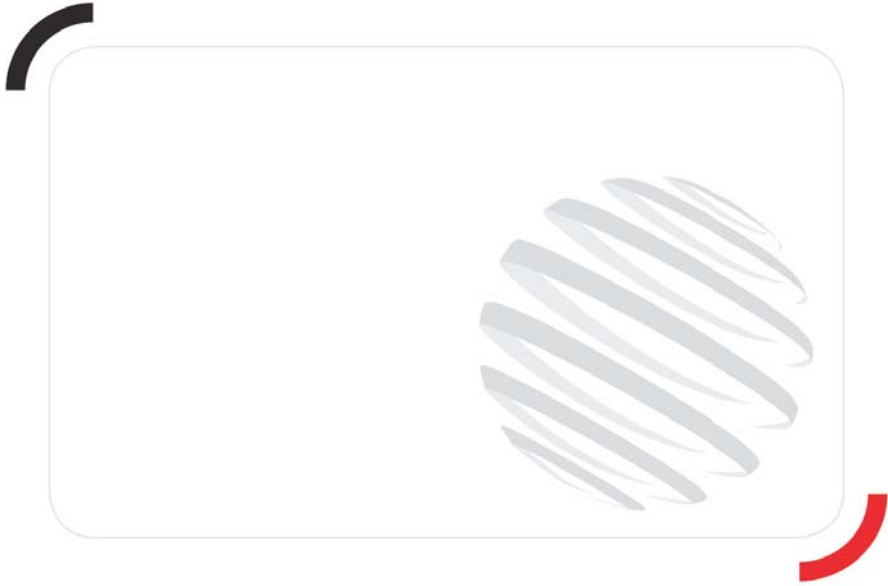
General	
Auto reversing fan	S
"Active CRC" boom suspension	S
Hand throttle	S
Manual rotating towing hitch on counterweight	S
Comfort	
Air suspension cloth-covered seat	S
Bluetooth car radio with integrated microphone (100 W)	S
Manual air conditioning	S
Rear windscreen defrost	S
Hydraulic	
Easy Connect System (ECS)	S
Regenerative Hydraulics	S
Intelligent Hydraulics	S
Continuous flow hydraulics	S
Attachment hydraulic locking	S
1 pair of pre-fitted Double Action rear hydraulic couplers	O
Electrovalve for 2 hydraulic functions (on boom head)	O
Electricity	
Audio warning on reverse movements	S
Front and rear LED work lights (x4 : 2 front + 2 rear)	S
Lateral wiper	S
Roof wiper	S
Comfort Steering	O
Video Camera Package	O

S : Standard / O : Optional / - : Not available



Load Chart based on 24 inch (600 mm) load center per ANSI B56.6





 **MANITOU**
HANDLING YOUR WORLD

Manitou North America, LLC.
PO Box 179 • West Bend, WI 53095
Tel: 262-334-9461 • Fax: 262-338-7517
www.manitou.com



This brochure describes versions and configuration options for Manitou products which may be fitted with different equipment. The equipment described in this brochure may be standard, optional or not available depending on version. Manitou reserves the right to change the specifications shown and described at any time and without prior warning. The manufacturer is not liable for the specifications given. For more information, contact your Manitou dealer. Non-contractual document. Product descriptions may differ from actual products. List of specifications is not comprehensive. The logos and visual identity of the company are the property of Manitou and may not be used without authorization. All rights reserved. The photos and diagrams contained in this brochure are provided for information only.

MANITOU BF SA - Limited company with board of directors - Share capital: 39,547,824 euros - 857 802 508 RCS Nantes